

# NIGHT VISION MONOCULAR SCOPE GNOM 2A

## 1 PURPOSE

Night vision monocular scope GNOM 2A is the device of night vision and is intended for supervision and orientation at night and in twilight, indoor and outdoor.

There's stipulated a built - in IR-illuminator for using in a full darkness.

Serviceability of the monocular is provided in a temperature range of -30 up to +30 °C working with batteries SR 44 type and -30 up to +30 °C - working with a battery "Blik-1".

## 2 SPECIFICATIONS

Eyepiece adjustment:  $\pm 4$  diopters

Magnification: min. 2,3x

Angle of view: min. 19°

Minimal focusing distance, m: 0,25

Focal length, mm: 54

Viewing distance in natural light of moonless night, m: 120

Viewing distance in natural light of moon night, m: 220

Viewing distance in the full darkness with IR-illuminator, m: 20

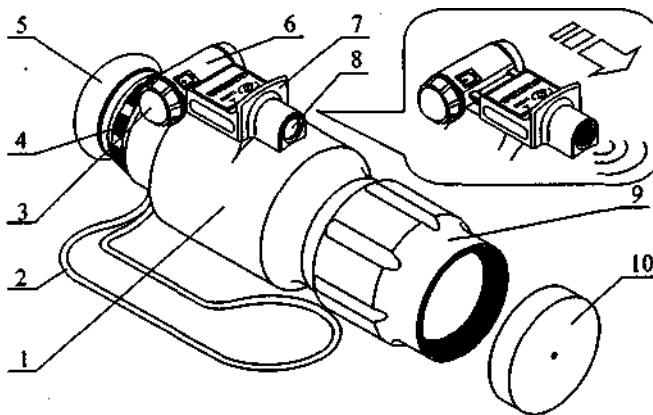
Power source: 2 batteries SR-44 type

Dimensions: 165x57x75 mm;

Weight: 0.5 kg.

## 3 THE MONOCULAR

Picture 1 shows the appearance of the monocular scope GNOM 2A



Pict. 1. Monocular scope GNOM 2A

1 - body; 2 - cord; 3 - turning on button; 4 - magnifier; 5 - eye-shield; 6 - batteries place; 7 - illuminator's toddler; 8 - illuminator; 9 - lens; 10 - lens cover.

Monocular is made on the electron-image amplifier basis that's established into the body 1. All components are attached to the body 1: lens 9, magnifier 4 with eye-shield 5, - battery compartment 6 with the button of inclusion 3, toddler 7 with the established illuminator 8 (IR-LED).

Monocular works from two batteries of SR. 44 type or from the only battery "Blik-1" that are established in the battery compartment 6 according to the marks specified on it's body. Monocular is ready to use from the moment of the batteries installation.

The complete set includes a protective cover 10 with a small hole in the center. At work in the daylight the cover should be kept on the lens. At night cover should be removed.

## 4 OPERATION

1. Press the button 3 shortly (5-10 seconds), then further feeding of the monocular during some time will be carried out by the saved up energy;

2. Direct the scope on the object of supervision and by rotation of the magnifier ring 4 and the lens 9 achieve sharp visibility of the image.

*DON'T TURN ON AT THE DAYLIGHT WITH THE REMOVED COVER. IT CAN LEAD TO SPOILING THE DEVICE.*

*AT REDUCTION OF BRIGHTNESS OF THE IMAGE REPEATEDLY PRESS THE BUTTON OF INCLUSION 3. IN ORDER TO PREVENT THE FAST DISCHARGE OF THE BATTERIES IT IS NOT RECOMMENDED TO KEEP THE DEVICE ON FOR A LONG TIME.*

***DON'T APPROACH THE DEVICE ON LESS THAN 10 CM TO HUMAN EYES!***

## **5 CONDITIONS OF STORAGE AND TRANSPORTATIONS**

Store it in a case, in a heated room at temperature range of +10 up to +35 °C and relative humidity of air no more than 80 % on distance not less than 1 m from heating devices.

In order to prevent oxidation of battery compartment contacts, it is not recommended to leave batteries there at long storage.

Preserve the scope from mechanical damages, direct solar beams, open fire, humidity and a dust, and also from immersing in any liquid.

Cleaning the optics is allowed only by the soft napkin moistened with a small amount of spirit or ether.

**DON'T REASSEMBLE THE MONOCULAR!**